

David N. Ku, MD PhD



Atlanta Pediatric
Device Consortium

Regents Prof of Mechanical Engineering

Professor of Surgery

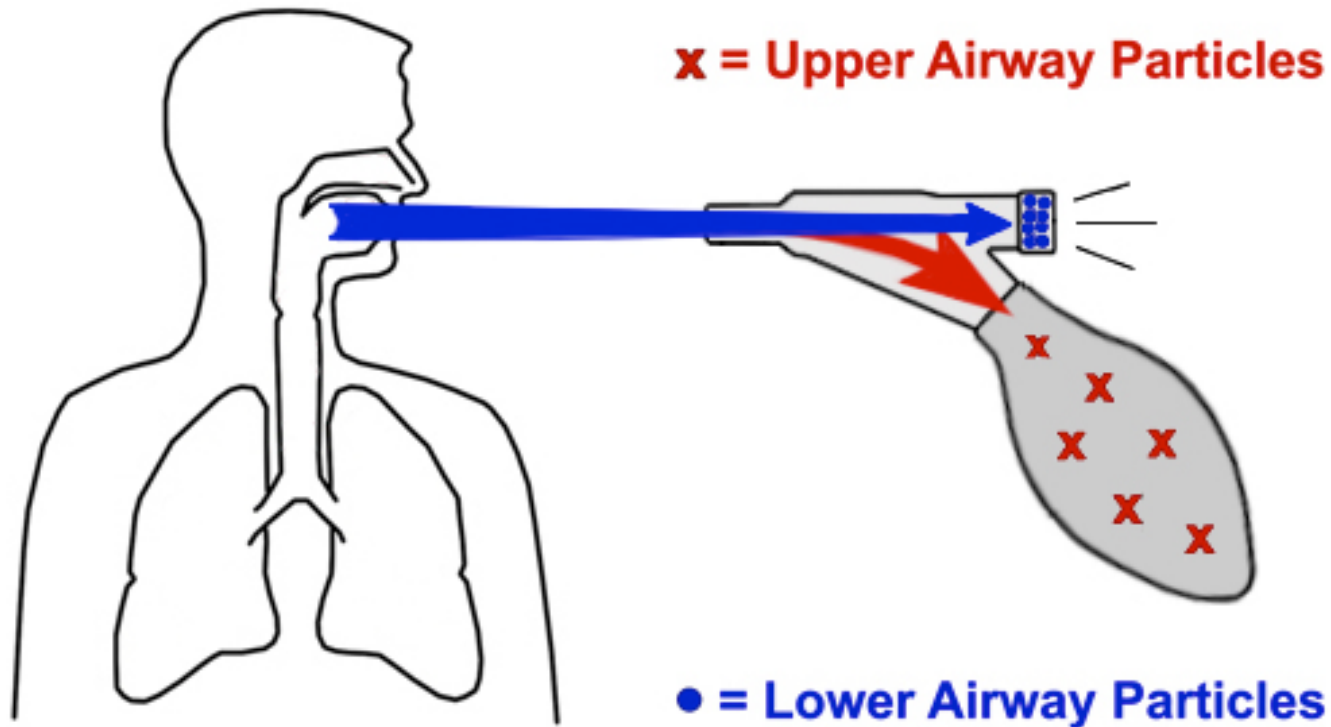
L.P. Huang Prof of Engng Entrepreneurship

Georgia Institute of Technology

Founder 4 companies

PneumoKazoo™

Need to collect from lungs
without mouth contaminants



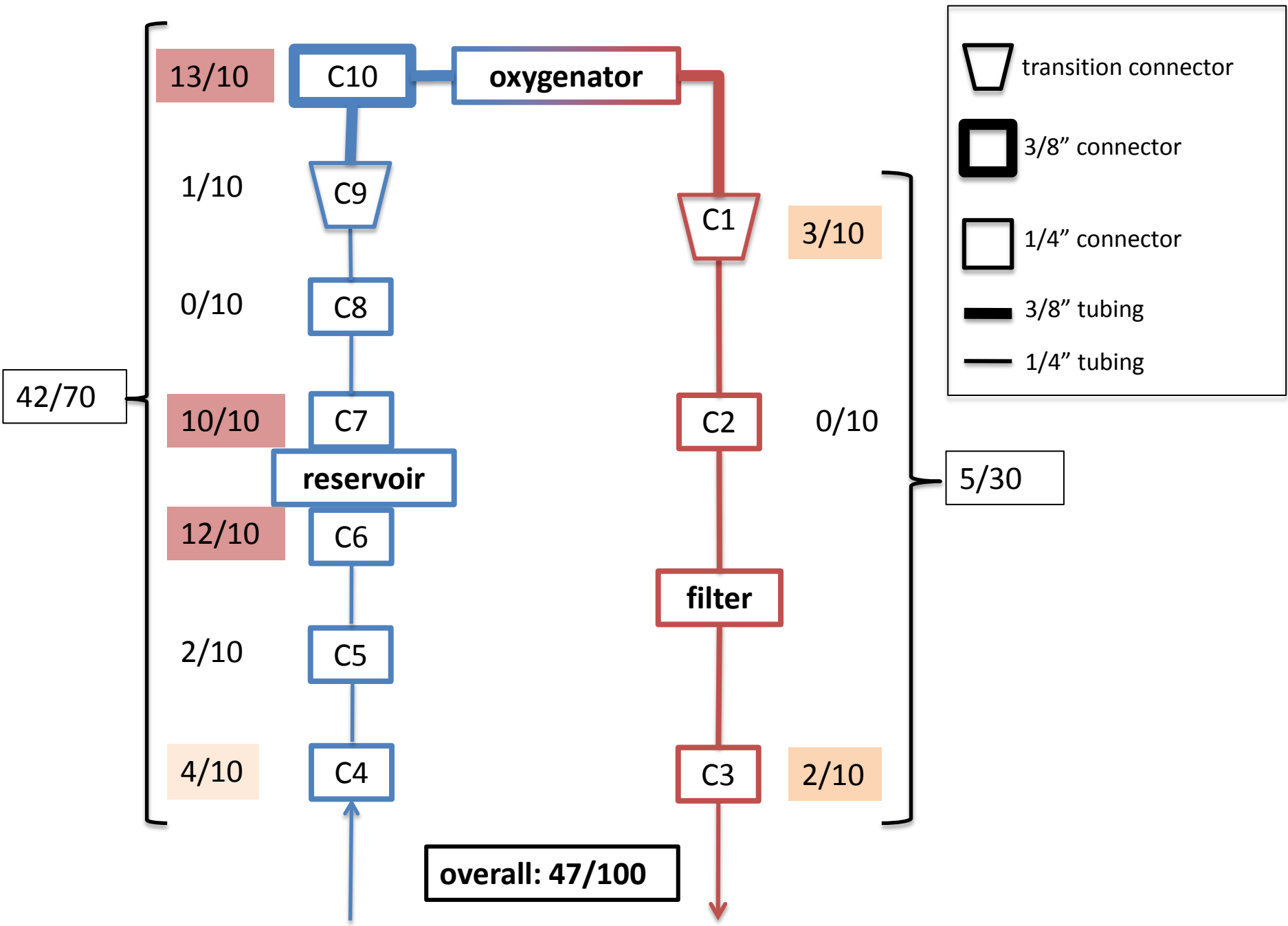
Validation in kids



ECMO for kids

Need redesign for peds





David N. Ku, MD PhD



Atlanta Pediatric
Device Consortium

Regents Prof of Mechanical Engineering

Professor of Surgery

L.P. Huang Prof of Engng Entrepreneurship

Georgia Institute of Technology

Founder 4 companies